

The Flush Wall-Mounted Voice Communication System for Maximum Security Locations

The activities of inmates and patients in high-security or sensitive types of areas requires a special kind of communication system. The system must be sensitive enough to deliver clear, intelligible communications in high-ambient noise environments. It must be durable enough to withstand a tough environment. And it must provide a measure of control for those responsible for the inmates or patients.

The TTU-5 is designed for maximum security, making it the preferred system for correctional facilities, secure patient areas, and other environments where security is of utmost importance. All the components including the microphones are housed in the sleek, compact units to minimize unauthorized adjustment and tampering.

Different from other TTU systems, these units are most suitable in environments with relatively low background noise, as they don't include any external microphones. This configuration is ideal for situations like inmate-to-visitor communications.

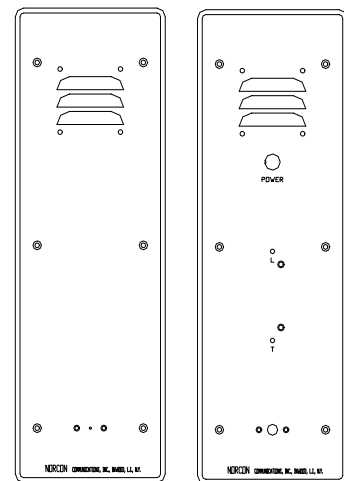
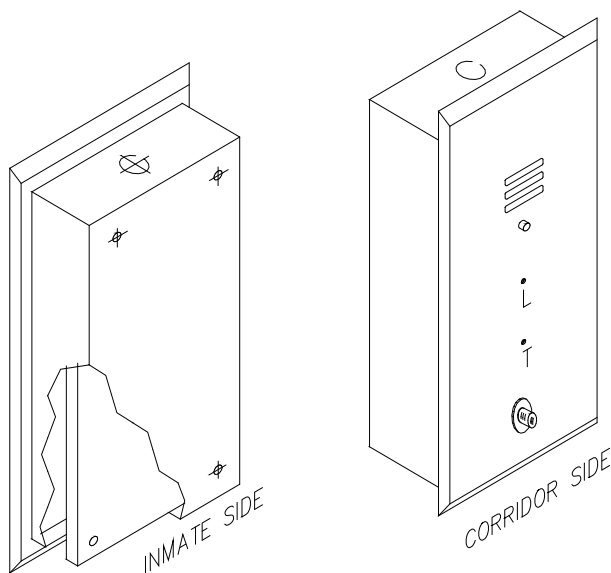
HOW IT WORKS

The Norcon TTU system permits hands-free communication between the booth attendant and the customer. VOX circuitry facilitates ongoing, clear, 2-way conversation at all times, as if both people were in the same room.

It includes sound shaping circuitry for maximum intelligibility and compression circuitry to lower harsh loud sounds.

INSTALLATION

The TTU-5 is installed flush against a wall, with internals hidden behind the unit in the wall. To connect the inside and outside units for both models, run a cable through a small hole in the barrier or under the countertop. To provide for maximum security, we use tamper resistant screws. Norcon provides you with a tool so that only you can screw and unscrew them.



Norcon TTU-5 Talk-Thru Unit



FEATURES

- Clear 2-way hands-free voice communication.
- Avoids yelling, repetition, misunderstanding.
- Quality electronic design and engineering.
- No gooseneck microphone and no external controls.
- Rugged, tamper-resistant materials.
- Simple, one-person installation.
- Compact, contemporary design. Fits any decor.
- Export models available.
- ADA compliant option.
- Built in the U.S.A.
- **We have a long history of customization. Contact us about your application.**

SPECIFICATIONS

MECHANICAL

- Steel back-boxes 11¹/₂" H x 3¹/₂" W x 2" D.
- Face Plates: ¹/₁₆" stainless steel standard (other gauges available). 13⁵/₈" H X 4¹/₂" W
- Weight: Depends on gauge and type of material.
- Mounting: Back-boxes recessed in barrier wall.
- Panel controls: Exterior (corridor) panel only on-off switch, recessed listen volume, and recessed talk volume.

ELECTRONIC

- Audio frequency response: Selectively shaped for maximum voice intelligibility.
- Audio power: 2 amplifiers. 2 Watts per amplifier.
- Distortion: Less than 2%.
- Listen mode: 20dB compression.
- Talk mode: VOX (voice activated).
- Microphones: Electret.
- Power supply: 100-240 VAC (input) 15 VDC, 1A (output).

AVAILABLE MODELS

- ◆ **TTU-1AX.** The most popular Talk-Thru Unit. Continuously powered. Depth: 2¹/₂".
- ◆ **TTU-1DX.** Battery powered complete with rechargeable batteries and charger. Depth: 3¹/₂".
- ◆ **TTU-3X.** Counter mounted for when you can't cut a hole in the glass. Has an option for an additional counter unit for back office use.
- ◆ **TTU-4 and TTU-5.** Tamper resistant units with no gooseneck microphone. Ideal for correctional institutions.
- ◆ **TTU-7X.** Counter mount inside unit and shallow window unit. Perfect when interior shades are used. Depth: 3¹/₂".
- **Additional Accessories:** wired headset, wireless headset, handset with armored cable, lavalier microphone, microphone windscreen, marble base for counter units, and donut adapter kit.
- **Options (Not Available on All Units):** Bullet resistant, push to talk, ADA compliant, wireless integration, noise cancelling, monitoring and recording, tamper resistant, and back office use.

Call us to talk about custom units and applications

Specifications are subject to change without notice.

Talk-Thru™ systems are shipped complete with cables, instructions, and power supply.